

SOFT STEEL

Design by: Rik van Mierlo

Nimbus

Statement installation above your table

SOFT STEEL Nimbus

fully covers your table instantly!.

This versatile and customizable pendant series is based on our SOFT STEEL halo. It features two sizes of pendants

of 450mm and 350mm which are fixed to a canopy creating an immersive installation that will lighten up/ be the centre piece of your dining area.

High power LED-spots create a functional downlight, while its 'fall-off' light is reflected inside the donut.



High Colourfastness CRI >90



Extremely good glare ratio (UGR)



Dim to warm 3000-2200K



Easy installation

Technical Specifications

Electrical

System wattage: 6W per Pendant
Voltage: 220-240V

Light technic

Type of light source: LED
Luminous flux: 622 Lm per Pendant
Efficacy: 104lm/W
Colour temperature: 3000K-2200K
Colour rendering (CRI): Ra>90
Light distribution: Direct (fall off reflected)
Optic: 36°
UGR: UGR <10

Control/Dimming

Type: Trailing edge

Protection

Ingress Protection rating: IP20 (indoor use)

Mounting/Connection

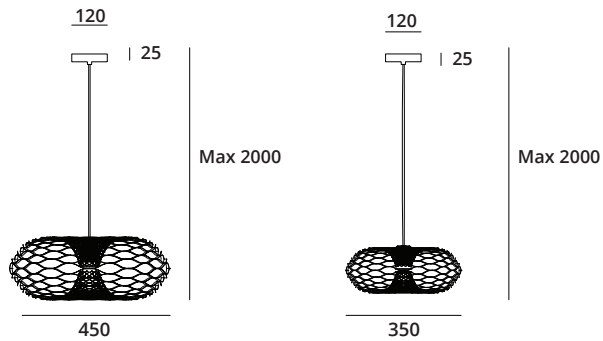
Mounting: Suspended
Cable: 2m Textile cable
Canopy: Brackets with side screw canopy

Weight

Bruto | Netto: Nimbus (5light) 18kg | 15kg

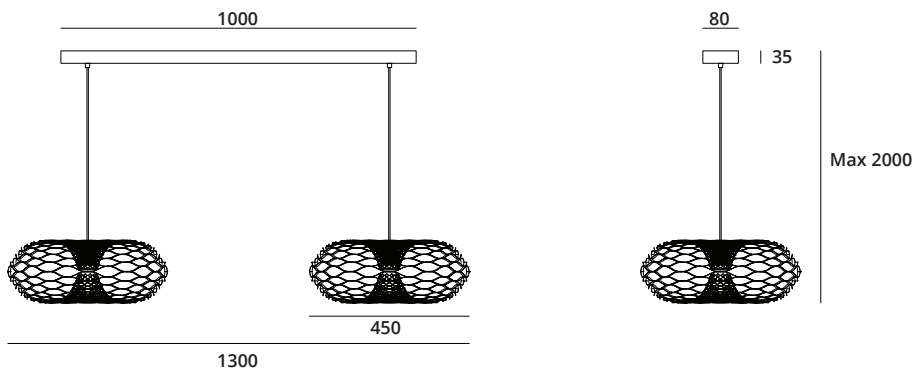
Nimbus Options

SOFT STEEL Nimbus Solo



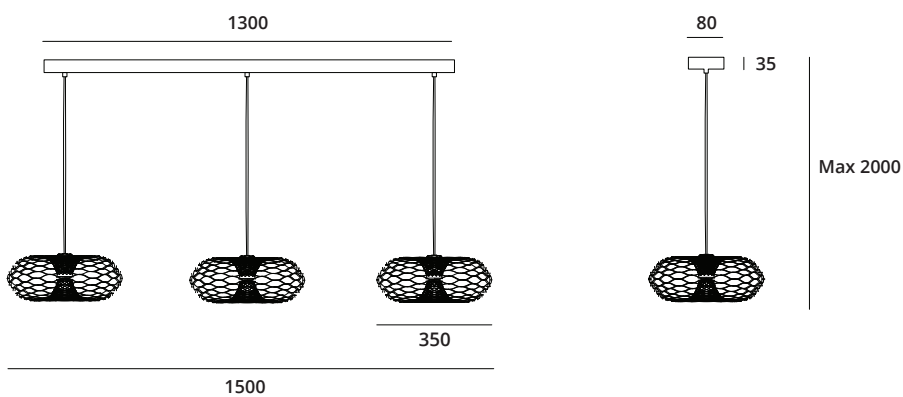
1x 450mm pendant on round black canopy
or
1x 350mm pendant on round black canopy

SOFT STEEL Nimbus Duo



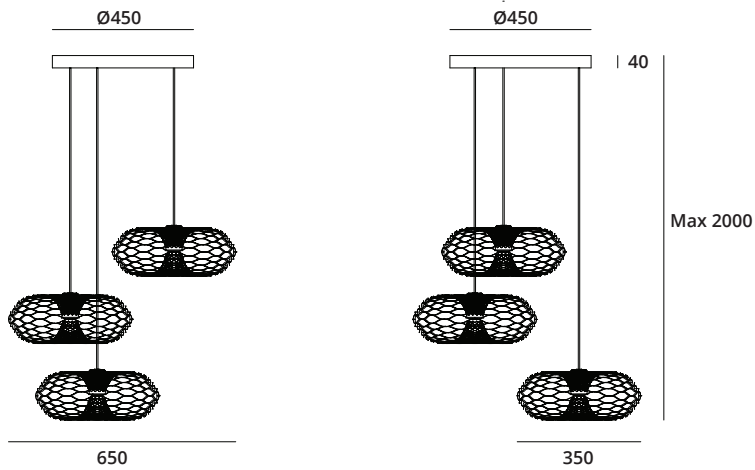
2x 450mm pendant on rectangle canopy
Suited for tables 1800-2200

SOFT STEEL Nimbus Trio



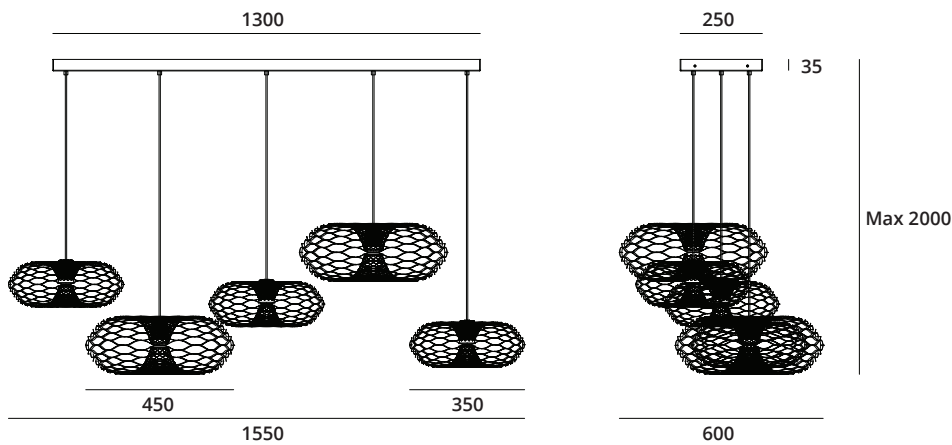
3x 350mm pendant on rectangle canopy
Suited for tables 2000-2400

SOFT STEEL Nimbus Vide



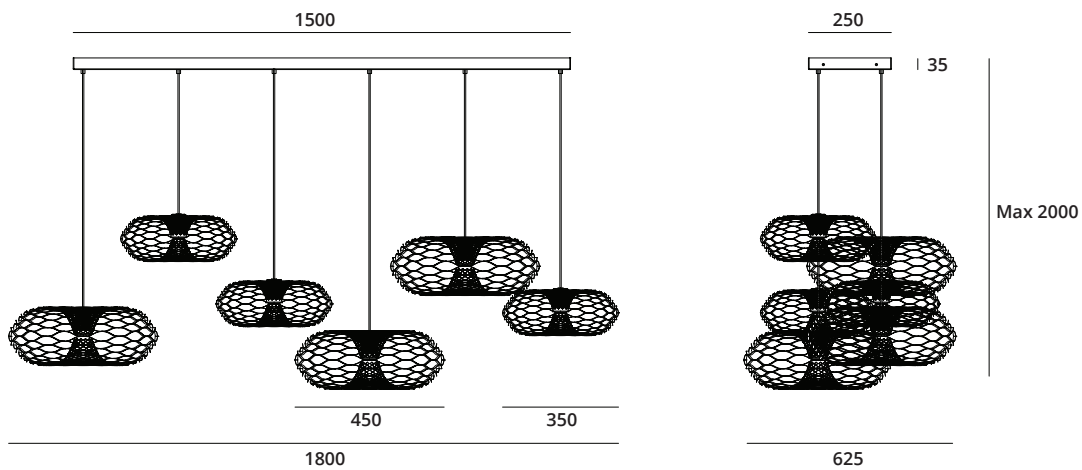
3x 350mm pendant on round canopy
 Suited for vide, or round tables Ø1200- Ø1600

SOFT STEEL Nimbus (5 Light)



3x 350mm pendant & 2x 450mm pendant on rectangle canopy
 Suited for tables 2200-2600

SOFT STEEL Nimbus Extra Long



3x 350mm pendant & 3x 450mm pendant on rectangle canopy
 Suited for tables 2800-3200



Options



Nimbus Bronze



Nimbus Sand-Gold



Nimbus Black



Nimbus Silver

All our powdercoatings are carefully selected. Extreme corrosion resistant polyester-based powdercoating.

Custom RAL colours are possible for an additional fee or for orders with larger quantities.
Send an e-mail to info@rikvanmierlo.nl for more information and possibilities